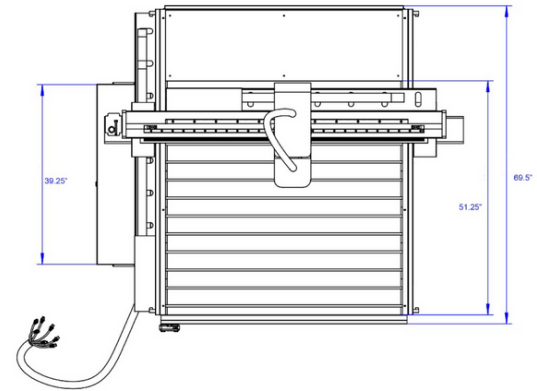
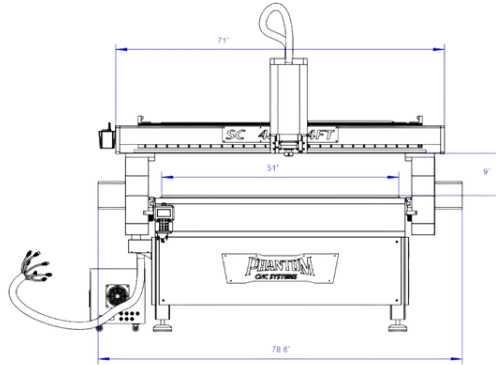
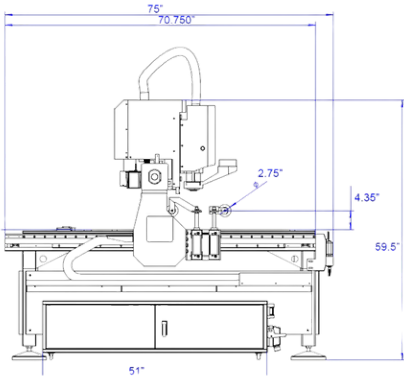


SCA 44

4X4 TABLE



SCV 44	
Machine Voltage	220V Single Phase 3 Wire 60HZ 30 Amp
Working Area	XY axis: 4 ft x 4ft Nominal: 49in x 49in Z axis: 9 inch travel
Vacuum Table	Bakelite Vacuum Table Surface Multi-Zone Vac Table T-Slot Clamping Table
Machine Structure	Welded Frame (same as our larger machines) Legs can be removed for installing in shop and transport
Spindle	Air cooled spindle 4.5KW / 6.1 HP HQD. Other options are available.
Tool Cooling	Oil-Mist and Air Cooling System
Inverter	220V Single Phase 4.5KW
Motion Supports	Linear Guide: XY with rack and pinon drive Linear Guide Z with rack and pinon drive Ball Screw: on Z axis with hardened ball screw Rack 1.25M Taiwan J&T / Rack has dust cover
Motor & Drive	Micro stepping gear reduced helical rack and pinon with 400 watt drive
Control System	Pendant Control System for easy control
Pneumatic Rollers	Automatic Rollers with 600lbs of pressure
Tool Sensor	Touch probe for Z axis zero of current tool and G54 Setting
Lubrication System	Oil lubrication system with manual pump
Machine Weight	1350LBS

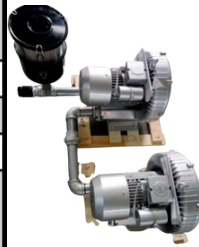
Dust Collectors

Phantom CNC Systems offers several levels of dust collectors to meet the needs of your business. All of our dust collectors have pleated filters.



Vacuum Pumps

The 2.2KW Rotary Vane Pumps are big power in small packages. One pump is more than enough to handle most situations the SC machine. These are powered on a 30 amp 220v single phase line. No 3 Phase nor VFD is needed!



the
EVOLUTION
OF CNC

CALL NOW : (252) 229-3896

SALES@PHANTOMCNCSYSTEMS.COM

WWW.PHANTOMCNCSYSTEMS.COM