



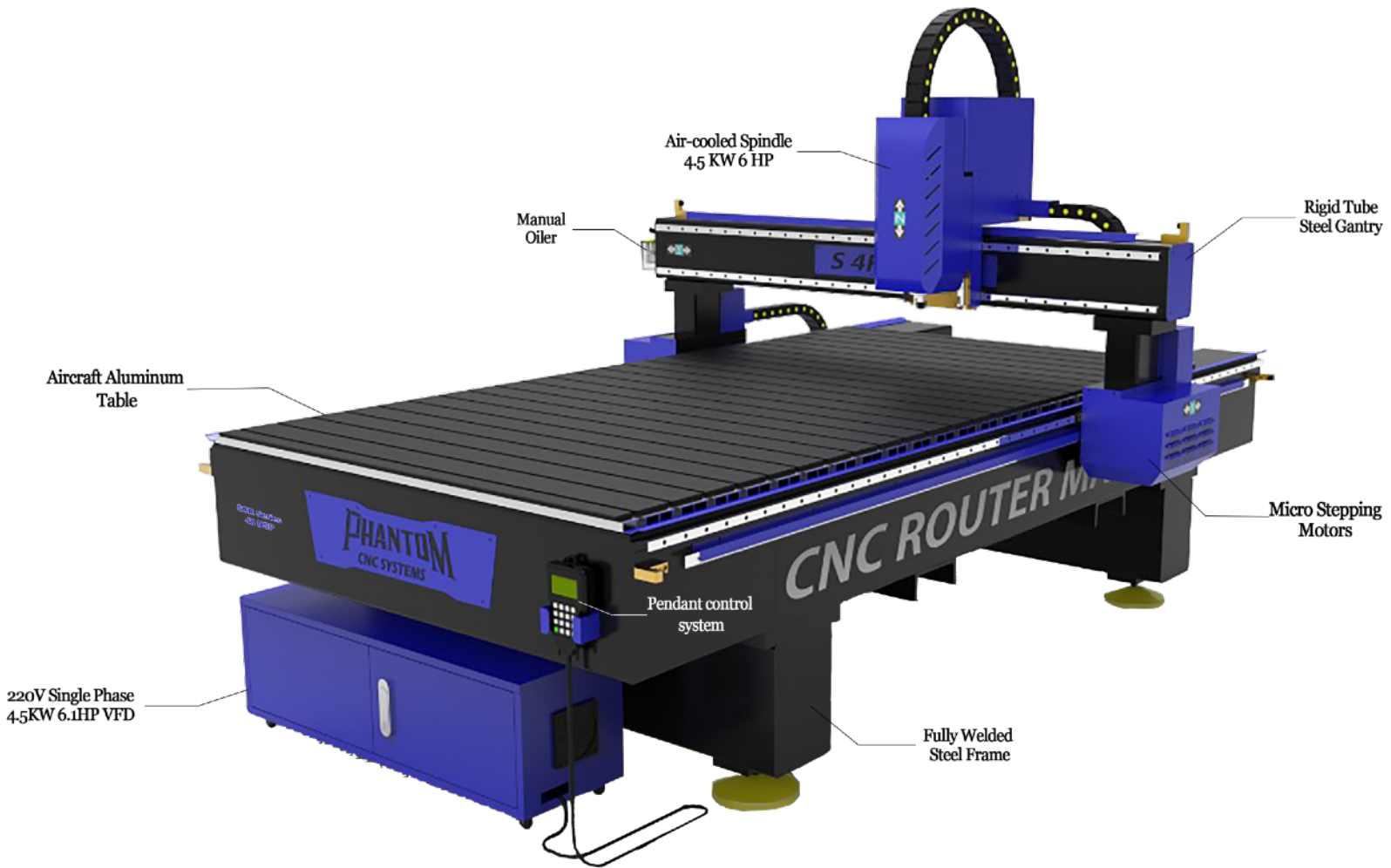
SCR Series 4x8

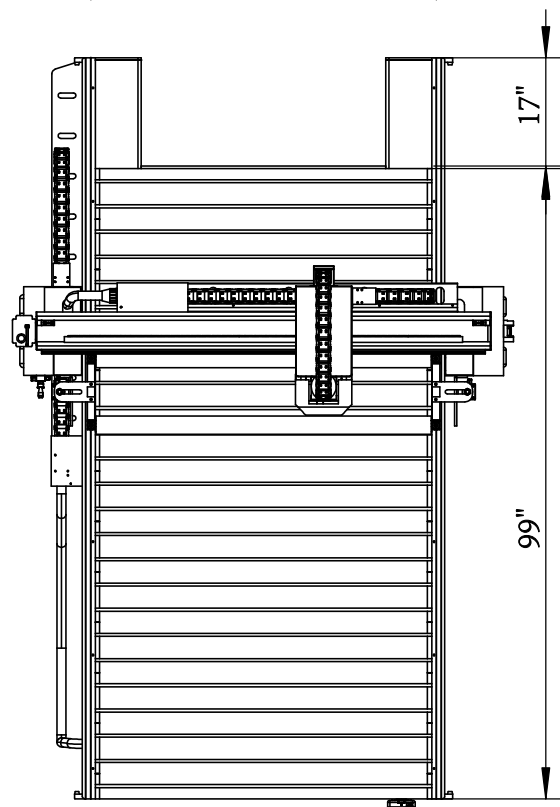
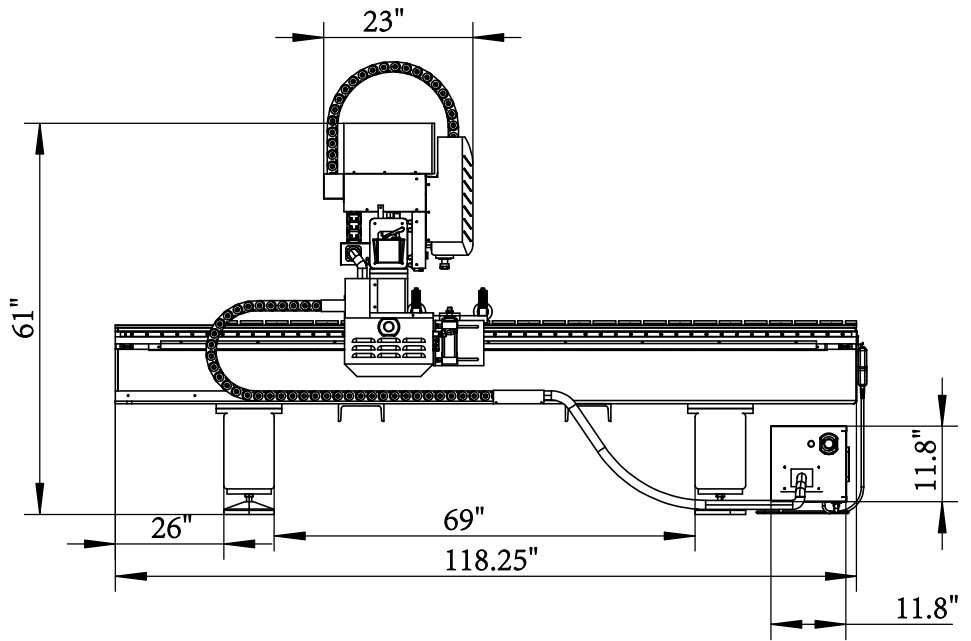
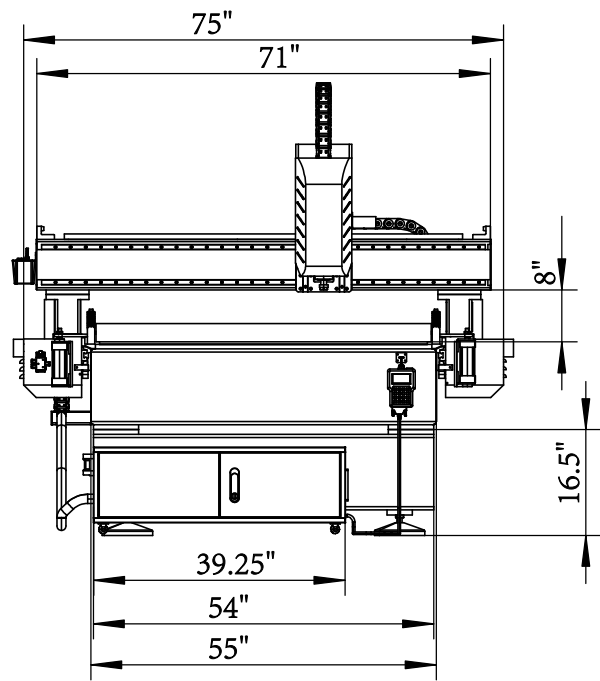
\$17,500 4x8

*Vacuum Pumps and Dust Collector Sold Separately

This is our SCR series 4'x8'. Our entry level large machine complete with Aircraft Aluminum Table, 6.1HP Spindle, and Nema 34 Micro Stepping Motors.

Machine Voltage	220V 1PH 3 Wire 60HZ 30 Amp
Working area	X Y axis: 4ft x 8ft, 5ft x 10ft, or Custom Z axis: 8inch
Vacuum Table	Aviation Aluminum Alloy Base T-Slot Clamping Table
Machine Structure	Fully Welded Steel Frames
Spindle	Air cooled spindle 4.5KW / 6.1 HP
Tool Cooling	Oil-Mist Cooling System
Inverter	220V Single Phase 4.5KW
Motion Supports	Linear guide XZ Linear guide Y Ball screw Z Rack 1.25M Taiwan J&T /Rack has dustcover
Motor and Drive	Nema 34 Micro Stepping
Control System	Pendant Control System for easy controls
Tool Sensor	Touch probe for Z axis zero
Lubrications System	Automatic Lubrication system with pump
Pneumatic Rollers (optional)	Automatic Rollers with 600lbs of pressure
Machine Weight	2300 lbs





PHANTOM
CNC SYSTEMS

S Series

4'x8' Floor Plan

Shipping:

Shipping costs will vary based on shipping address and current carrier rates. Call or email us for up-to-date rates.



**Phantom CNC
Systems has
teamed up with**



PRICE OF \$279

**Is a CNC intimidating to
you?**

**Are you just diving into the world of CNC or struggling with
running your machine or program?**

**This is by far the best way to learn your CNC and software. CNC's
can seem like a lot, but these step-by-step video lessons take all
the pressure off!**

**Purchase of the Learn Your CNC
package gives you lifetime
access to the VCarve Master
Training Course.**

Dust Collector

The double bag dust collector is powered by 220v single phase power and provides hours of operation between having to empty the bags. The 4 inch port on the SC and the dust collector helps keep a clean and safe work environment.

\$650



Contact:

Steven Wallace

CEO, Owner

(252)259-4484

steve@phantomcnccsystems.com

[@phantom_cnc_systems](https://www.instagram.com/phantom_cnc_systems)

www.phantomcnccsystems.com

Tom Klontz

Owner, Treasurer

(252)402-8711

tom@phantomcnccsystems.com

Izzy Swan

Dealer/Content Creator

(864)501-8126

izzy@izzyswan.com

[@izzyswan_woodworking](https://www.instagram.com/izzyswan_woodworking)

www.izzyswan.com

Nick Leonard

Phantom CNC Dealer/Content Creator

(910)986-1065

[@statedwoods](https://www.instagram.com/statedwoods)

nick@phantomcnccsystems.com

www.statedwoods.com